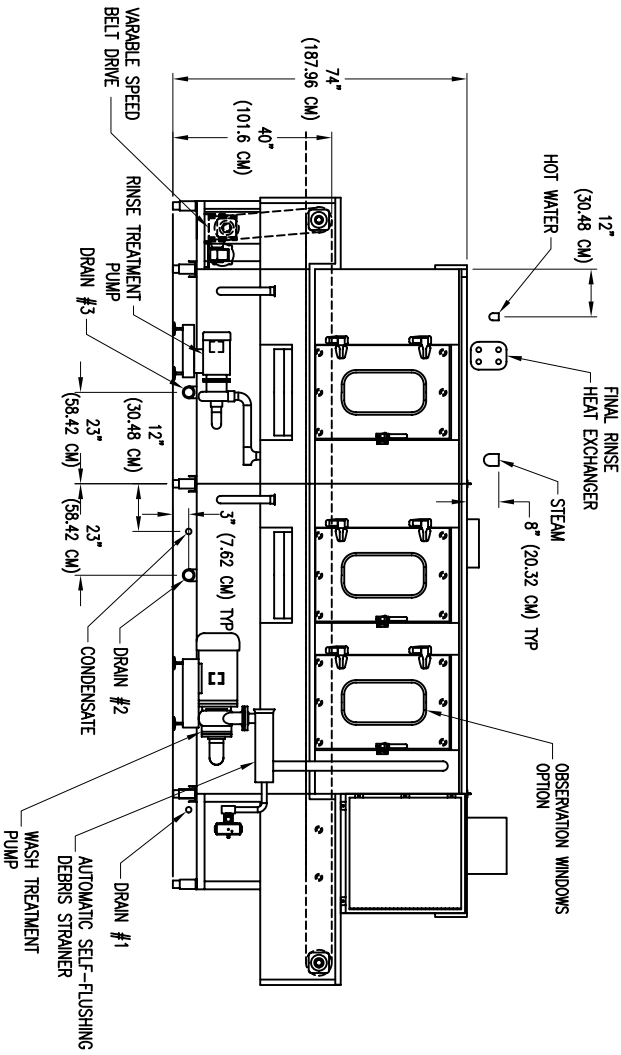
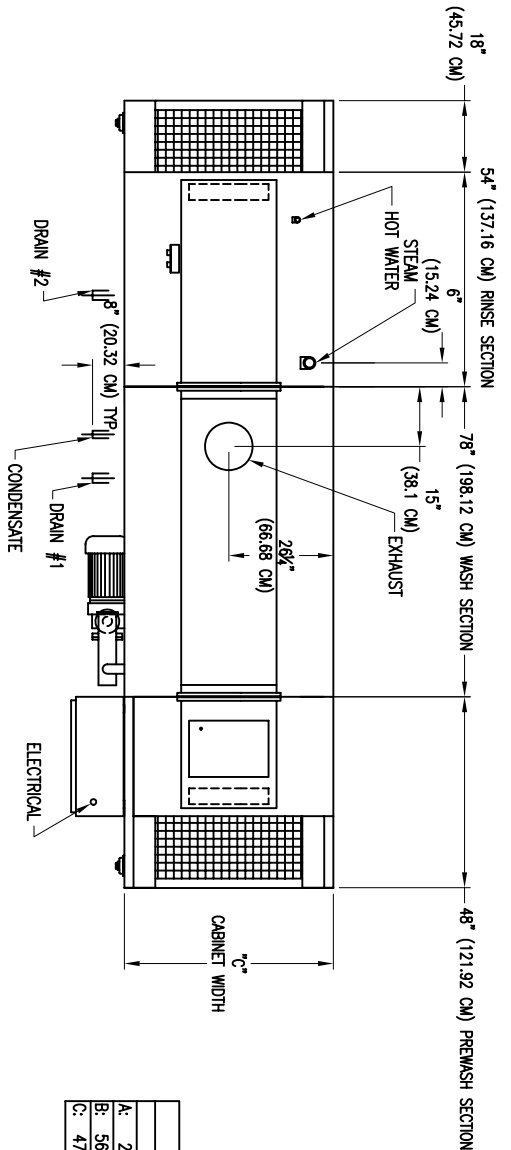
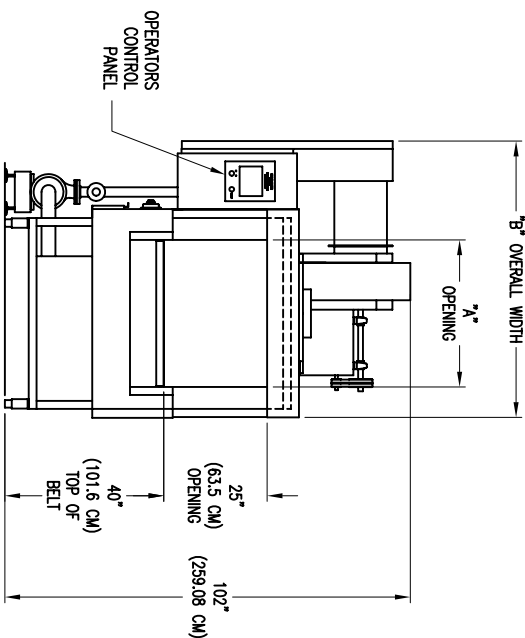


UTILITIES AND SERVICE REQUIREMENTS

ELECTRICAL	3 PH, 60 HZ, 15 H.P. (11.19 KW)
STEAM	2" (5.08 CM) FPT 30-80 PSI (206.84-551.58 KPA) 1500 LBS./HR. (680.39 KG/HR)
CONDENSATE	1" (2.54 CM) FPT 1" (2.54 CM) FPT, 35 PSI (241.32 KPA) MIN. 10 GPM (37.85 LITERS/MIN), 180 DEG F (82.22 DEG C)
HOT WATER	3/4" (3.81 CM) FPT, 35 PSI (241.32 KPA)
COLD WATER	10 GPM (37.85 LITERS/MIN), 50° F. (10 DEG C)
DRAIN #1	3" (7.62 CM) FPT 10 GPM (37.85 LITERS/MIN), 190° F. (87.79 DEG C)
DRAIN #2	2" (5.08 CM) FPT, 190° F. (87.79 DEG C)
DRAIN #3	10 GPM (37.85 LITERS/MIN) 2" (5.08 CM) FPT, 190° F. (87.79 DEG C)
EXHAUST	10 GPM (37.85 LITERS/MIN) 12" (30.48 CM) DIA, 1200 SCFM (33.98 CUBIC METERS/MIN) 180° F. (82.22 DEG C) SATURATED



	S.L1224	S.L1230	S.L1236	S.L1248
A:	25" (63.5 CM)	31" (78.74 CM)	37" (93.98 CM)	49" (124.46 CM)
B:	56-1/2" (143.51 CM)	63-1/2" (161.29 CM)	69-1/2" (176.53 CM)	80-1/2" (204.47 CM)
C:	47-3/8" (120.81 CM)	53-3/8" (136.05 CM)	59-3/8" (151.29 CM)	71-3/8" (181.77 CM)



NOTICE: All drawings, descriptions, prints, specifications, etc. bearing this notice, together with the information, and ideas contained therein, are the sole and exclusive property of Schlyer Machinery. Any disclosure or use thereof not authorized in writing by Schlyer Machinery is unlawful and will be prosecuted to the full extent of the law.

DWG BY: LBRKE DATE: 9/7/05
 APP BY: DATE:
 SCALE: JOB NO:
 SHEET: OF: NEXT ASB#:

DRAWING TITLE: MODEL S.L1200LH BASIC TUNNEL WASHER
 SCHLYER MACHINERY CO. PART NO: S.L1200B LH
 200 LAKE ST. WILSON, NY 14172