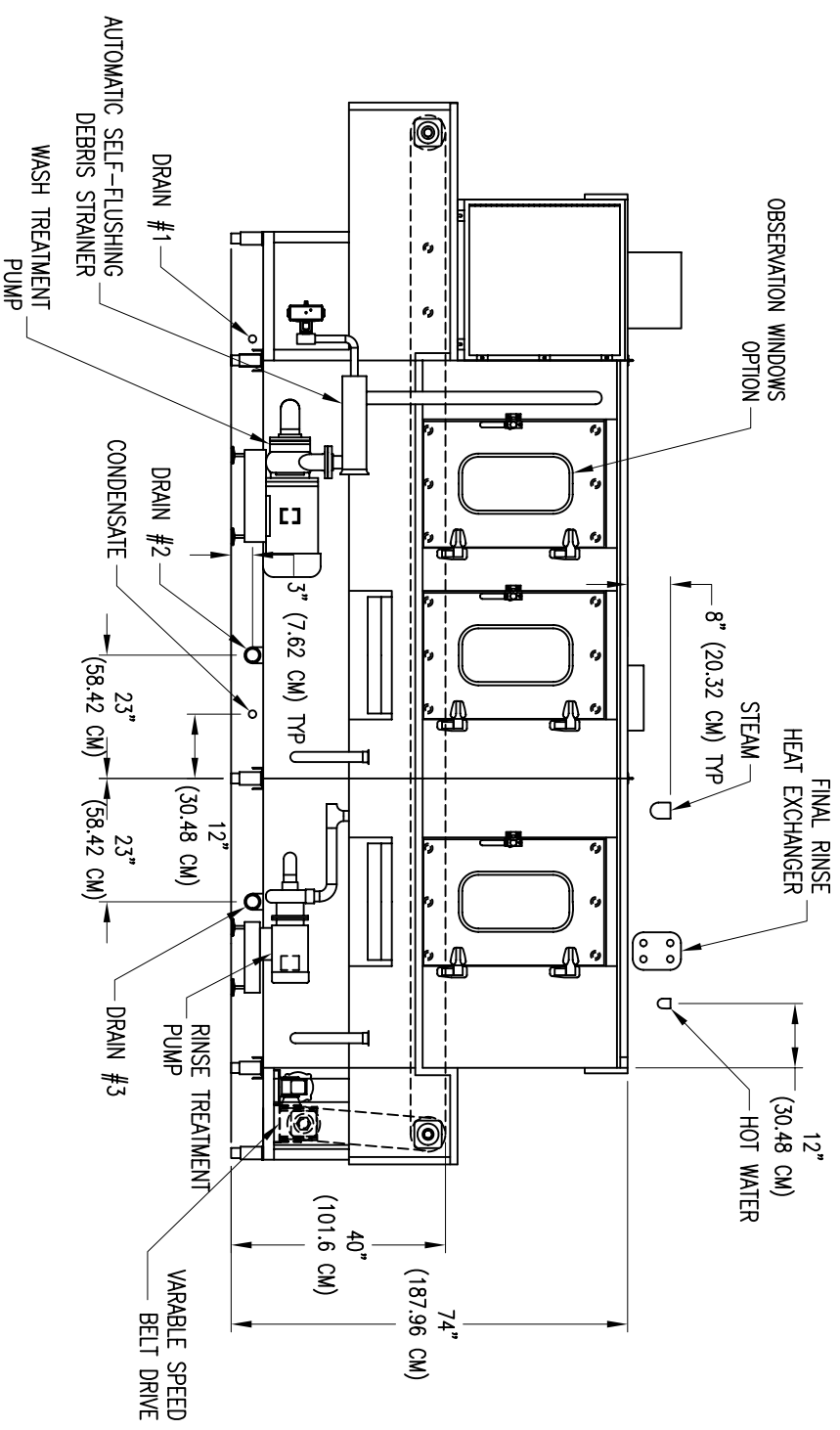
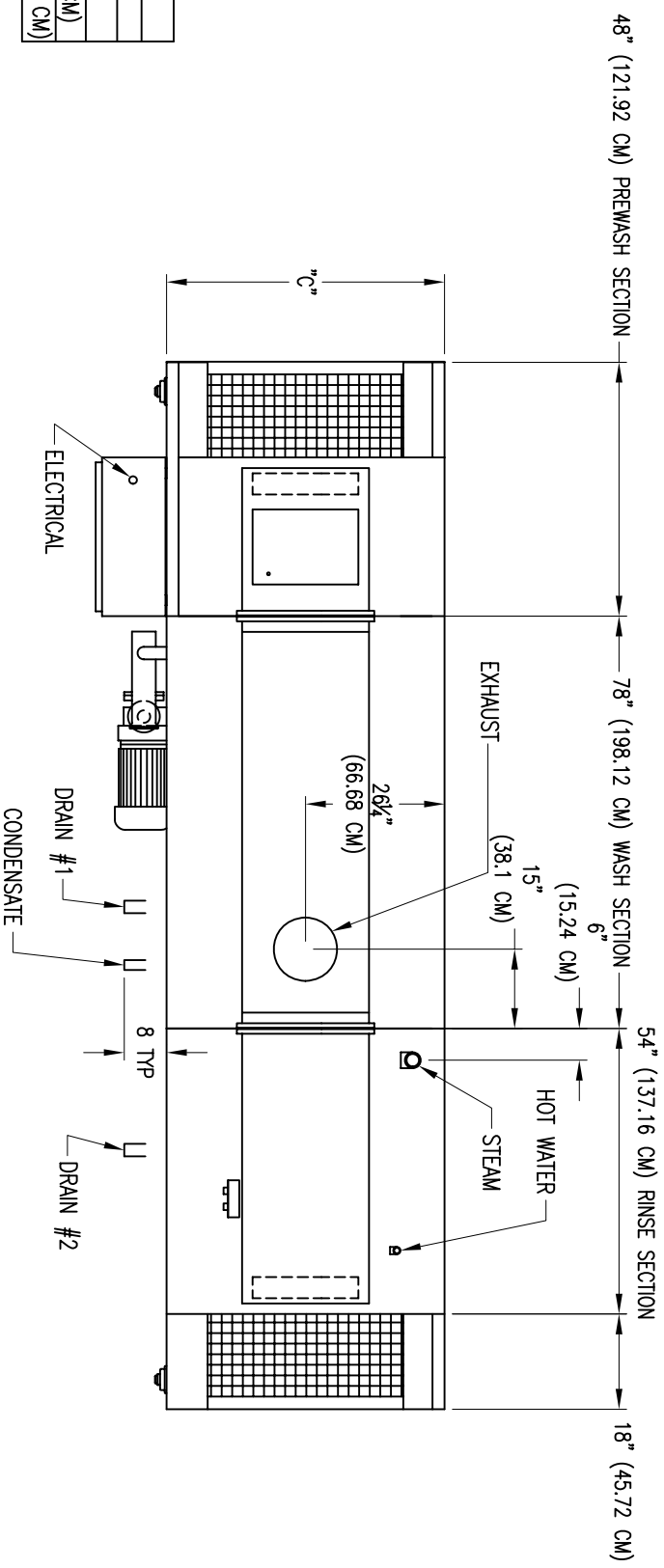
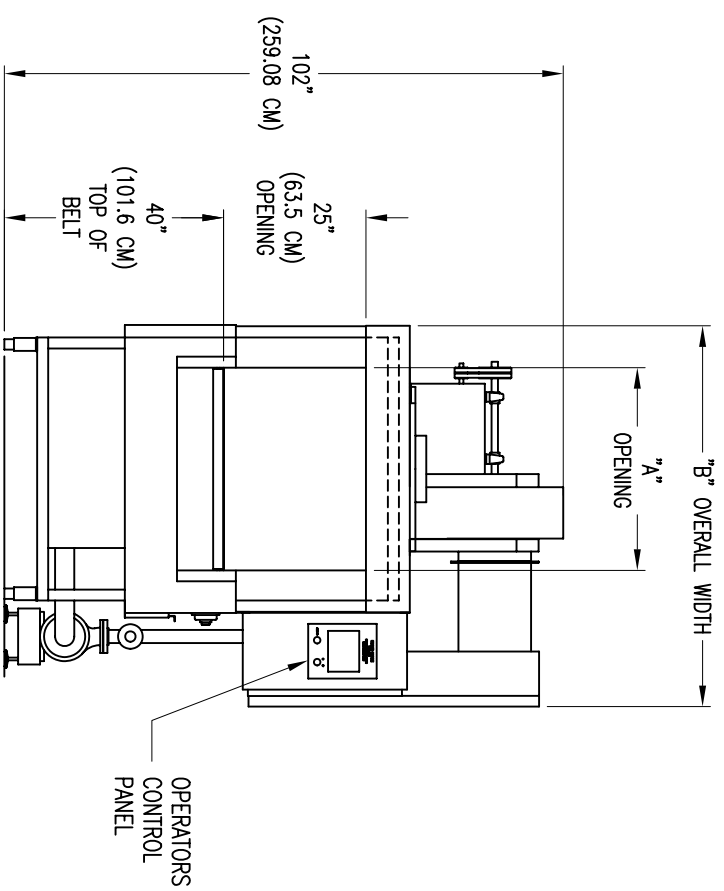


UTILITIES AND SERVICE REQUIREMENTS

ELECTRICAL	3 PH, 60 HZ, 15 H.P. (11.19 KW)
STEAM	2" (5.08 CM) FPT 30-80 PSI (206.84-551.58 KPA) 1500 LBS./HR. (680.39 KG/HR)
CONDENSATE	1" (2.54 CM) FPT 1" (2.54 CM) FPI, 35 PSI (241.32 KPA) MIN. 10 GPM (37.85 LITERS/MIN), 180° F. (82.22 DEG C) 3/4" (1.91 CM) FPI, 35 PSI (241.32 KPA) 10 GPM (37.85 LITERS/MIN), 50° F. (10 DEG C)
HOT WATER	10 GPM (37.85 LITERS/MIN), 190° F. (87.79 DEG C)
COLD WATER	10 GPM (37.85 LITERS/MIN), 190° F. (87.79 DEG C)
DRAIN #1	3" (7.62 CM) FPT 10 GPM (37.85 LITERS/MIN), 190° F. (87.79 DEG C)
DRAIN #2	2" (5.08 CM) FPT, 190° F. (87.79 DEG C) 10 GPM (37.85 LITERS/MIN)
DRAIN #3	2" (5.08 CM) FPT, 190° F. (87.79 DEG C) 10 GPM (37.85 LITERS/MIN)
EXHAUST	12" (30.48 CM) DIA., 1200 SCFM (33.98 CUBIC METERS/MIN) 180° F. (82.22 DEG C) SATURATED

WIDTH DIMENSIONS			
	SL1224	SL1230	SL1236
A:	25" (63.5 CM)	31" (78.74 CM)	37" (93.98 CM)
B:	56-1/2" (143.51 CM)	63-1/2" (161.29 CM)	69-1/2" (176.53 CM)
C:	47-9/16" (120.81 CM)	53-9/16" (136.05 CM)	59-9/16" (151.29 CM)
			49" (124.46 CM)
			80-1/2" (204.47 CM)
			71-9/16" (181.77 CM)



NOTICE: All drawings, descriptions, prints, specifications, etc. bearing this notice, together with the information, and ideas contained therein, are the sole and exclusive property of Schlyer Machine. Any disclosure or use thereof not authorized in writing by Schlyer Machine is unlawful and will be prosecuted to the full extent of the law.

DWN BY: J.BIRKE	DATE: 8/3/05	DRAWING TITLE:	MODEL SL1200 RH BASIC TUNNEL WASHER
APR BY:	DATE:		
SCALE:	JOB NO:	SCHLYER MACHINERY CO.	PART NO:
SHEET: OF:	NEXT ASSEMBLY:	206 LAKE ST. WILSON NY 14172	SL1200B RH