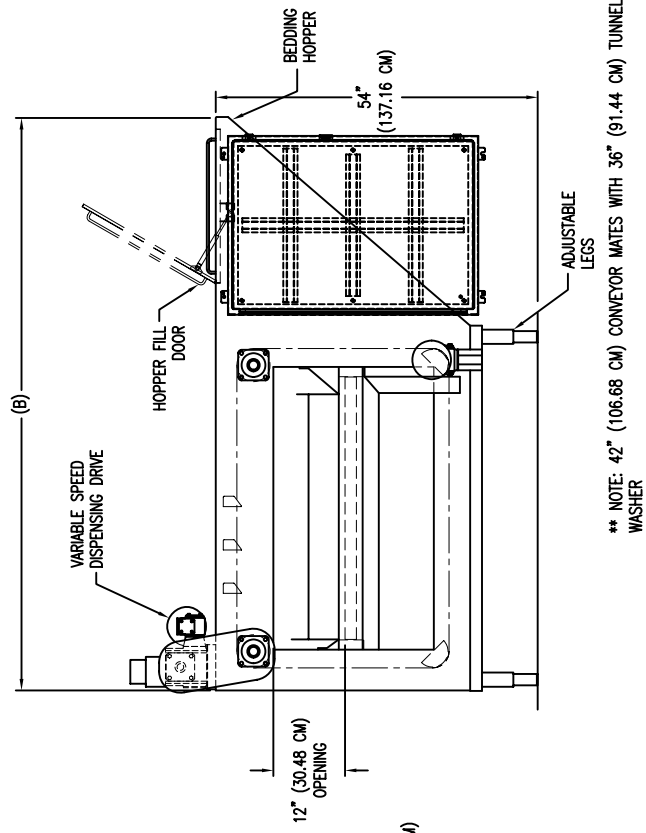
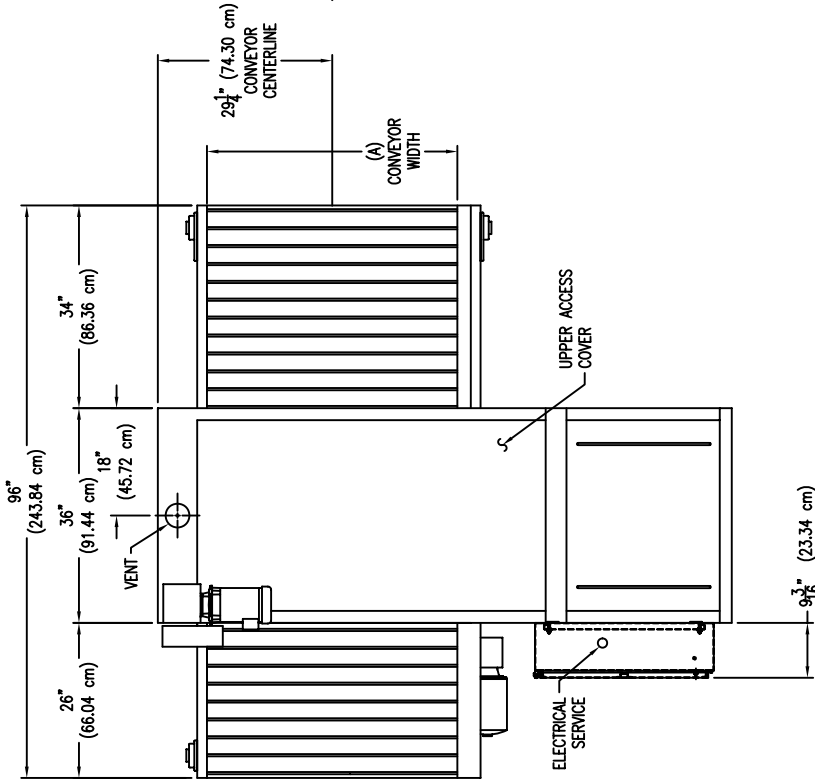
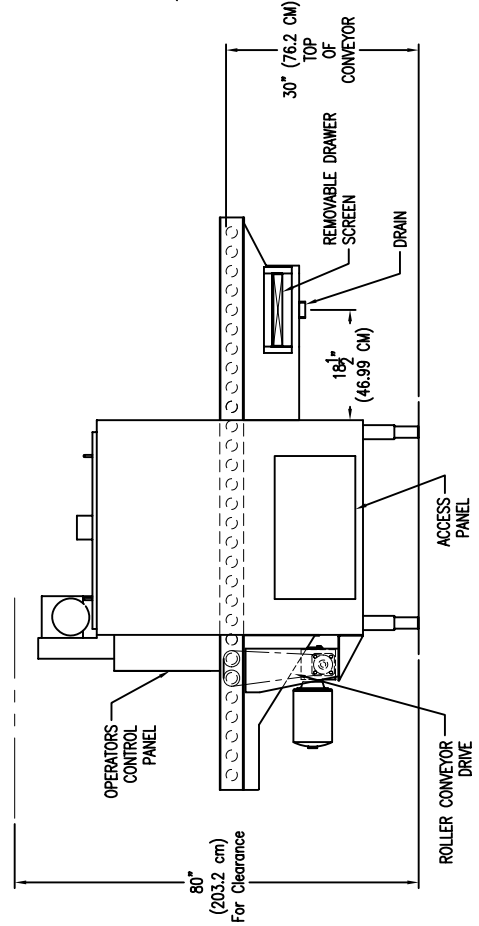


UTILITIES

ELECTRICAL 3 PH., 60 HZ, 1 HP (745.70 W) CONNECTED LOAD  
 DRAIN 2" (5.08 cm) NPT.  
 VENT 4" (10.16 cm) DIAMETER



DUST COLLECTION SYSTEM



Model	Conveyor Width (A)	Machine Width (B)
BD3024	30" (76.2 cm)	84" (213.36 cm)
BD3030	36" (91.44 cm)	90" (228.60 cm)
BD3036	42" (106.68 cm)	96" (243.84 cm)
BD3048	54" (137.16 cm)	108" (274.32 cm)

\*\* NOTE: 42" (106.68 cm) CONVEYOR MATES WITH 36" (91.44 cm) TUNNEL WASHER

NOTICE: All drawings, descriptions, prints, specifications, etc. bearing this notice, together with the information, and ideas contained herein, are the sole and exclusive property of Schlyer Machinery. Any disclosure or use thereof without the express written consent of Schlyer Machinery is unlawful and will be prosecuted to the full extent of the law.

DWG BY: GB DATE: 10-4-99  
 APR BY: DATE:  
 SCALE: 3/4" = 1'-0" JOB NO.:  
 SHEET: OF: NEXT ASSEMBLY:

DRAWING TITLE:  
 MODEL 3036 LH BEDDING DISPENSER  
 SCHLYER MACHINERY CO.  
 206 LAKE ST. WILSON NY 14172

PART NO:  
 4-20C-EQ