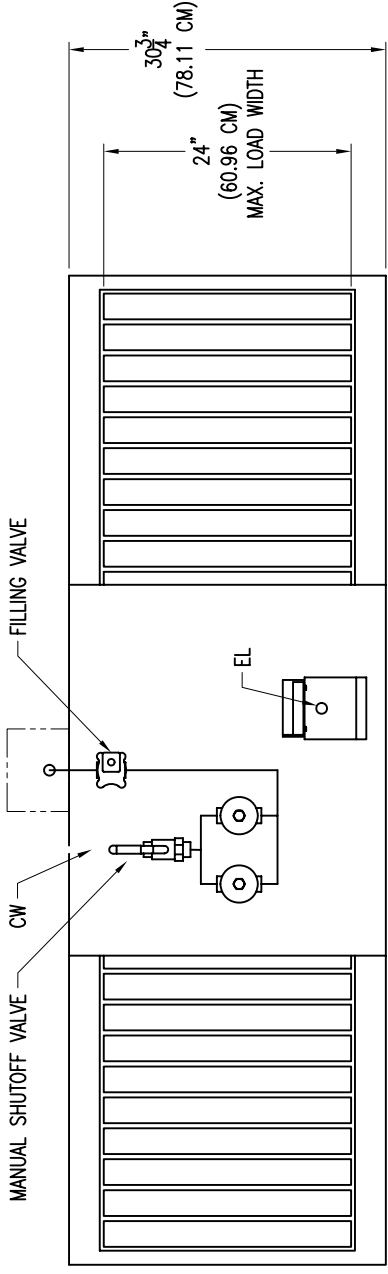
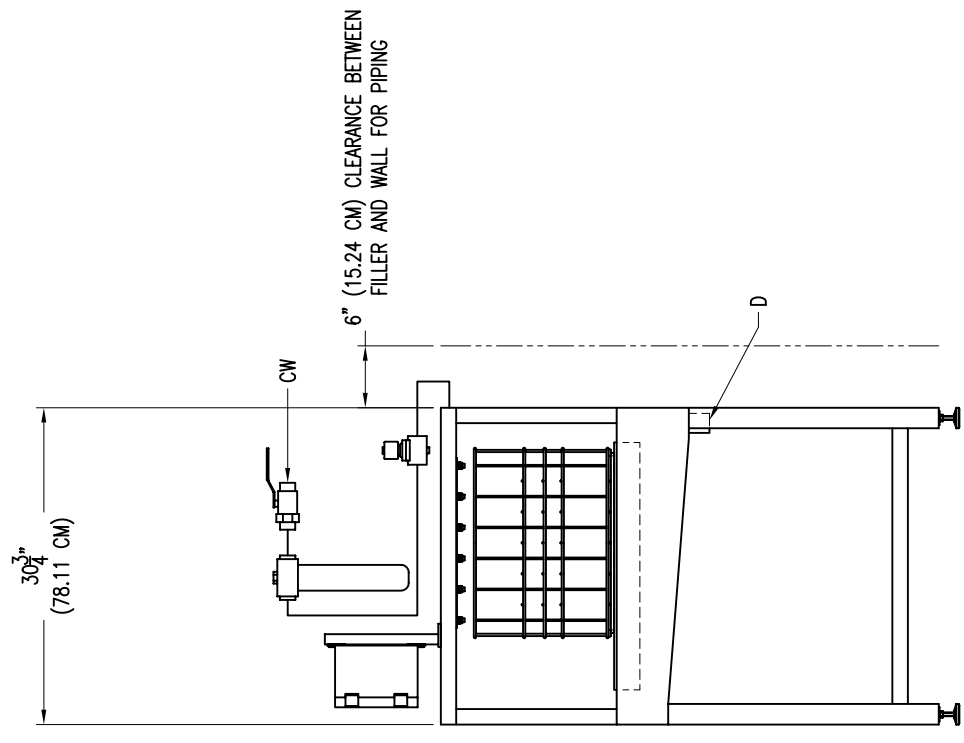
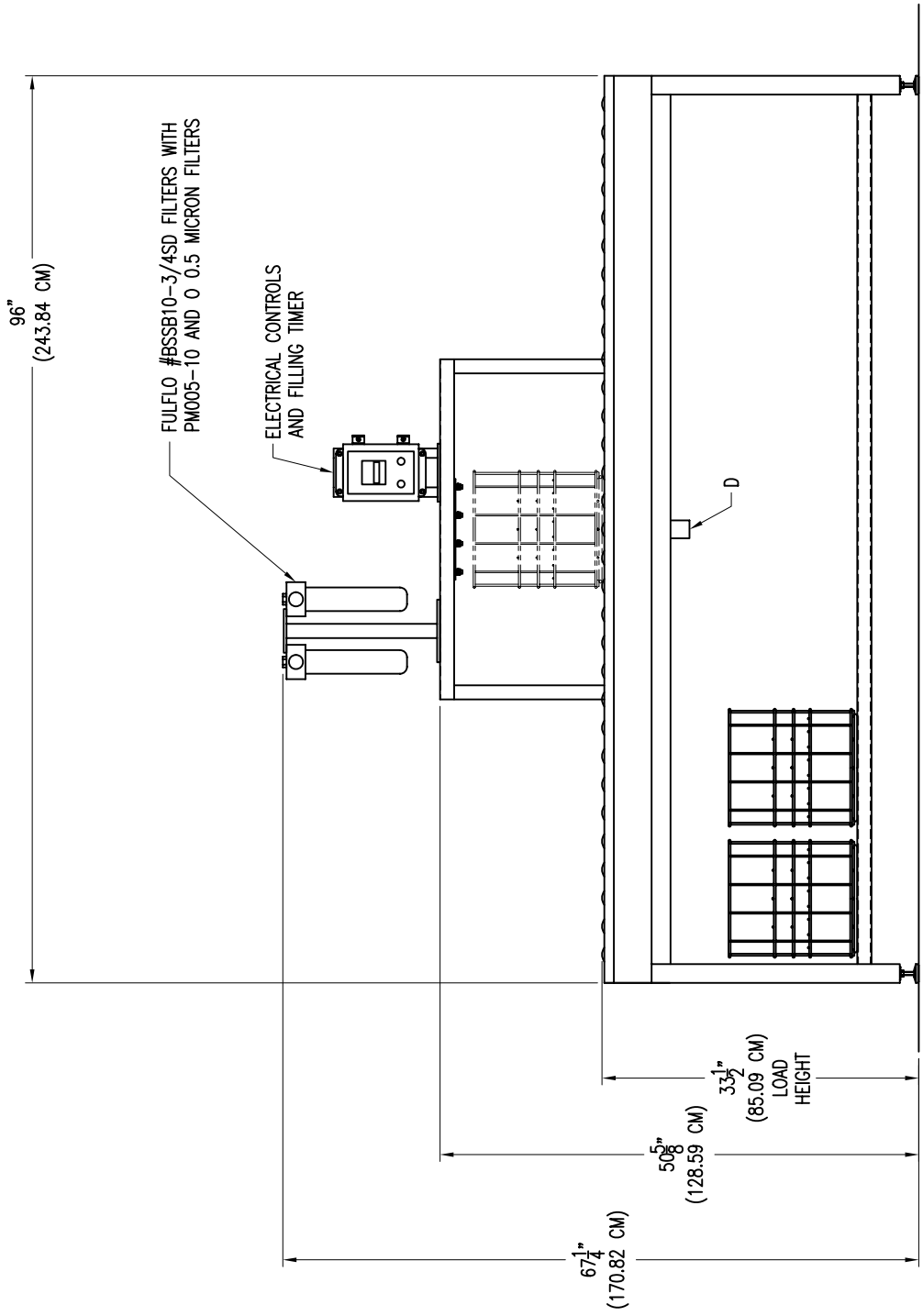


LET	REVISION	DATE	APPR.
A	REDESIGNED PER CUSTOMER REQUEST	9/20/05	JLB



CW - COLD WATER, 3/4" (1.91 CM) NPT. FEMALE COPPER CONNECTION  
 EL - ELECTRICAL, 120 VA, 60 HZ, 1 PH, 10A.  
 D - DRAIN, 1 1/2" (3.81 CM) NPT. MALE S/S CONNECTION

NOTES:  
 1 - SERVICE CONNECTIONS TO FILLER BY OTHERS.  
 2 - THE FILLER WILL BE SUPPLIED WITH A 10 FT (3.05 CM). LONG POWER CORD TERMINATED WITH A STANDARD 120V. - 15 A. MALE PLUG



NOTICE: All drawings, descriptions, prints, specifications, etc. bearing this notice, together with the information and ideas contained therein, are the sole and exclusive property of Schlyer Machine. Any disclosure or use thereof not authorized in writing by Schlyer Machine is unlawful and will be prosecuted to the full extent of the law.

DWN BY: J.BIRKE	DATE: 5/31/05	DRAWING TITLE:
APR BY:	DATE:	MODEL 9110 BOTTLE FILLER WITH ACID PROPORTIONER
SCALE: 1=12	JOB NO:	SCHLYER MACHINERY CO. PART NO: RF-10001C
SHEET:	OF:	206 14MT. ST. WILCOX, WY. 82412