

UTILITY ADDERS FOR DRYERS

6' (1.83 M) DRYER 10' (3.05 M) DRYER

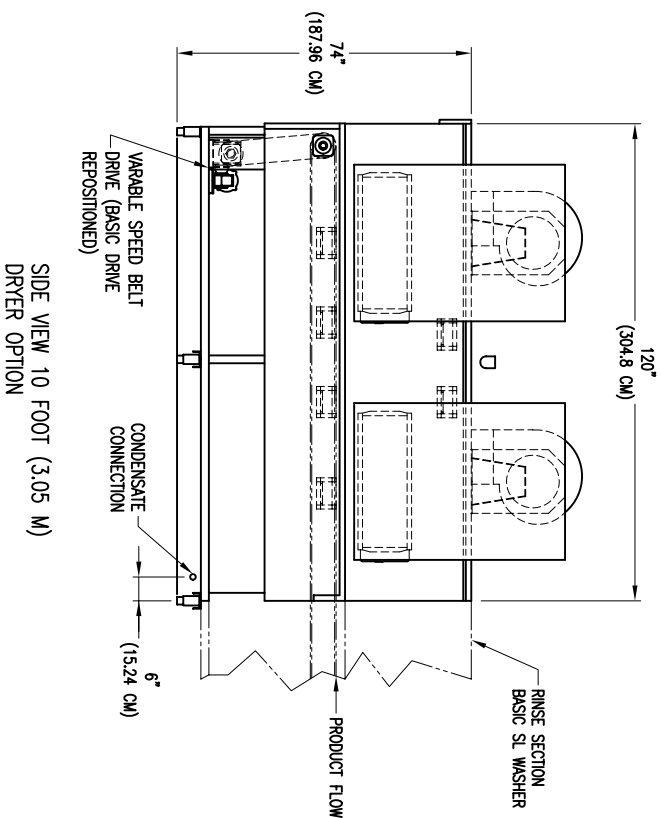
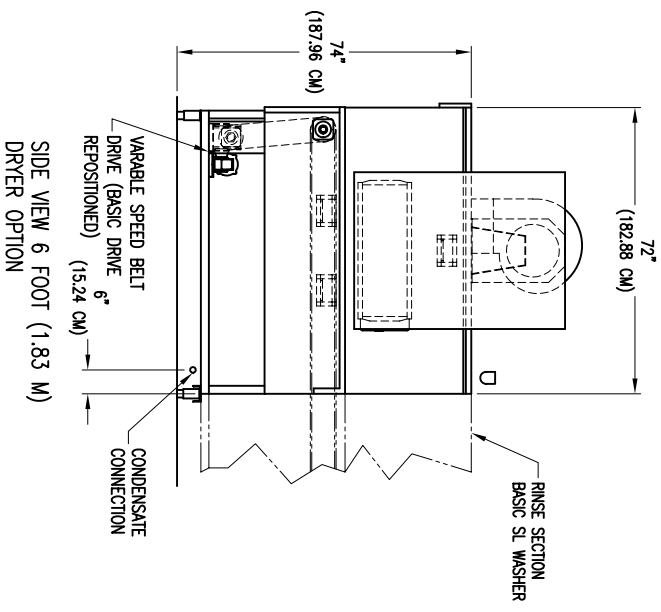
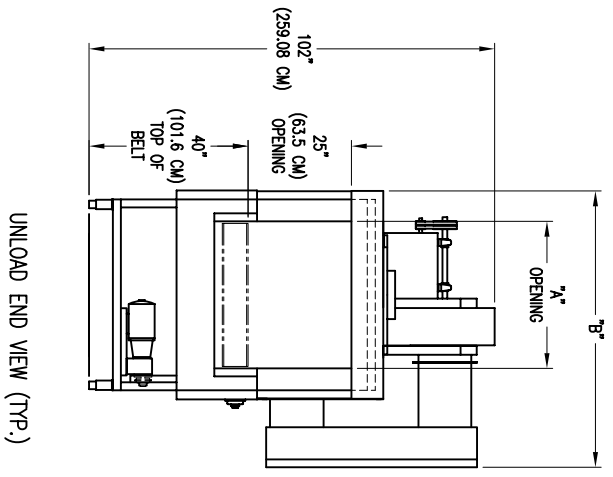
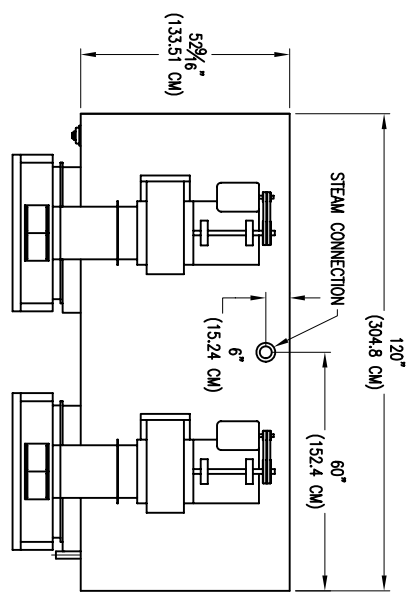
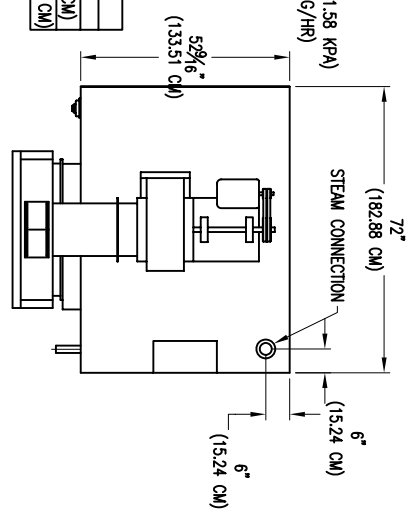
ELECTRICAL: 5 H.P. (3.73 KW) 10 H.P. (7.46 KW)

STEAM: 2" (5.08 CM) FPT 30" - 80 PSI (206.84-551.58 KPA)
 30 - 80 PSI (206.84-551.58 KPA) 1500 LBS./HR. (680.39 KG/HR)

CONDENSATE: 1" (2.54 CM) FPT 1" (2.54 CM) FPT

WIDTH DIMENSIONS

	SL1224	SL1230	SL1236	SL1248
A:	25" (63.5 CM)	31" (78.74 CM)	37" (93.98 CM)	49" (124.46 CM)
B:	56-1/2" (143.51 CM)	63-1/2" (161.29 CM)	69-1/2" (176.53 CM)	80-1/2" (204.47 CM)



STANDARD DRYER LENGTHS ARE SHOWN
 CUSTOM LENGTHS ARE READILY AVAILABLE

NOTICE: All drawings, descriptions, prints, specifications, etc. bearing this notice, together with the information, and ideas contained therein, are the sole and exclusive property of Schlyer Machinery. Any disclosure or use thereof not authorized in writing by Schlyer Machinery is unlawful and will be prosecuted to the full extent of the law.

DWN BY: JBRK DATE: 9/2/05
 APR BY: DATE:
 SCALE: JOB NO:
 SHEET: OF: NEXT ASBK:

DRAWING TITLE: MODEL SL1200 STANDARD LH DRYER OPTIONS
 SCHLYER MACHINERY CO. PART NO: SL1200D LH
 200 LAKE ST. WILSON, NY 14172